

Kelray Heating Ltd



Phone: 0800 535 729

Mobile: 021 530 962

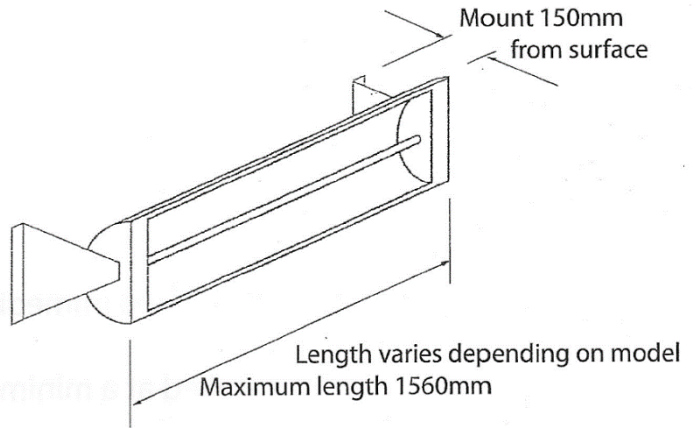
International: 0064 21530962

Email: info@kelrayheating.co.nz

PO Box 100 373 NSMC

Auckland, New Zealand

www.kelrayheating.co.nz

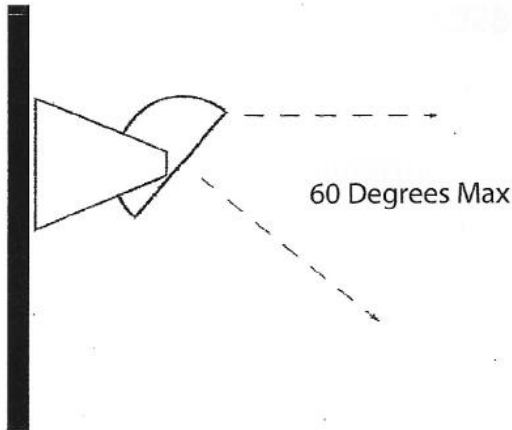


READ ALL INSTRUCTIONS BEFORE INSTALLING

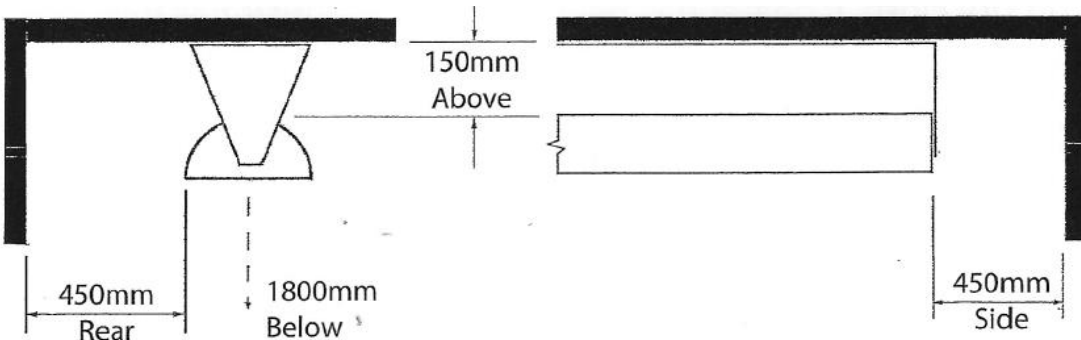
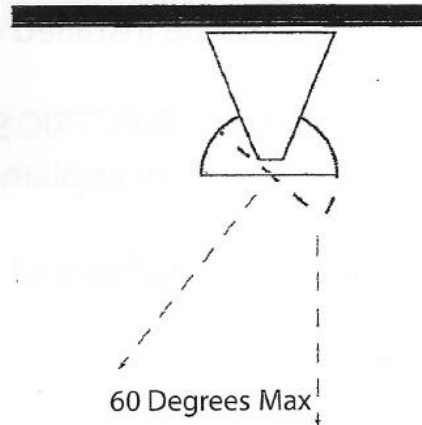
The following information is supplied to assist in the installation of quartz tube radiant heaters manufactured by Kelray Heaters Ltd. Qualified Electrical Personnel must install heaters. Always install units horizontally and maintain minimum clearances from combustible materials.

Wall / ceiling brackets are supplied and use of these will maintain the minimum distancing of 150mm. The Heater must always be installed horizontally [failing to do so may void warranty on element], it can then be rotated forwards to a maximum of 60 degrees [45 degrees is recommended]

WALL MOUNTED



CEILING MOUNTED



Always maintain minimum clearances from heater body to combustible material. Heater must be installed horizontally.

Kelray Heaters – Installation Instructions

- These heaters must be hardwired by an electrician. Isolation switch is required to be incorporated in the fixed wiring to achieve all-pole disconnection. A means for disconnection of this appliance must be incorporated in the fixed wiring in accordance with electrical wiring Codes of Practice and Electricity Regulations
- Our heaters are weather resistant [not waterproof] so some element of protection from driving rain or snow is required – Rated at IPX4.
- Mount horizontally only [use a spirit level] with reflector angled down between 45 and 60 degrees
Mount at least 1800mm from floor level to front of heater with a downward angle of between 45 and 60 degrees.
- A flush-mount in a ceiling must not be any closer than 450mm from an adjacent wall
- Hanging heaters must have at least 150mm clearance from walls, beams or ceiling
- Install heater using stainless steel brackets provided. Use minimum 25mm stainless steel fasteners appropriate to structural material heater is attached to.
- Do not use if the heating element is damaged
- The heater shall not be located in front of a socket-outlet
- The heater is not located immediately below or above a socket-outlet
- **WARNING!** possible danger if installation close to curtains and other combustible materials – must be kept at least 1m apart

WIRING INSTRUCTIONS

- The installing electrician will need to provide the appropriate rigid, flexible or liquid tight conduit for the installation location
- Observe local electrical code regulations
- Remove cover plate from junction box on top of heater
Attach conduit by threading through nylon gland and attaching to ports inside junction box
- Tighten top screw on nylon gland
- Use only copper wire suitable for 90°C
- Replace cover plate and ensure that rubber sealing pad is correctly positioned

MOUNTING INSTRUCTIONS

- Heaters may be mounted horizontally using the brackets provided which are designed to ensure a minimum of 150mm clearance from walls or ceiling. You may hang from chain or other fire-resistant materials provided that the 150mm minimum clearance is maintained.
- If you are installing heater in a ceiling you will require a flush-mount kit in stainless steel and this must be mounted into the firebox [minimum 1 hour fire-rating] that has been constructed in the ceiling cavity by the builder / contractor

FIT QUARTZ ELEMENTS

Spanners supplied must be used to insure a positive and tight electrical connection at the element end. Failure to do this may result in the premature failure of the element and the warranty being void.

- Handle with care – this element is extremely FRAGILE
- Unscrew and remove both end reflectors
- Unscrew element gate at junction-box end of heater and lift
- Gently place element into position and unscrew first nut
- Ensure second nut is snug against the ceramic end of the element
- Place white cable lug onto end of element and push up to second nut
- Reattach first nut and screw on – hold the ceramic end of the element firmly while you tighten the first nut so as to ensure you do not damage the element. Use the spanners provided to clasp each nut simultaneously and then tighten. This should be a snug fit. A loose connection can cause the element to short or fail prematurely.
- Repeat for other end of element
- Then lower the element gate and screw in
- Re-attach the two end reflectors

CLEANING

- To clean reflector, isolate power supply, remove grill and clean reflector with soft cloth and water or with glass cleaner. Be very gentle around the quartz glass element as it is fragile. Make sure that water and/or glass cleaner is removed and dry before reconnecting heater to the power source
- If heater has been in use wait until it has fully cooled down before commencing cleaning.
- Replace grille on completion.
- This should be done 3 monthly or if right on beach at least monthly.

WARRANTY

- This heater is manufactured in New Zealand and has a 5 year warranty on the heater body and fitments and 2 years on the element/s. Warranty DOES NOT include physical damage to heater or element/s. Read warranty instructions on back of heater for fitting of element/s. return appliance with proof of purchase to manufacturer who will at their discretion either replace or repair the heater.

WARNING

- Care must be taken when transporting / handling the heater as the quartz glass element is fragile. Never handle heater unless fully cooled down wait until it has fully cooled down

Kelray Heaters – Safety Guidelines

WARNING. SOURCE OF POSSIBLE IGNITION

- Never block front of heater.
- Do not install or operate heater close to combustible materials. The front of the heater must not be installed closer than 650mm from vertical surfaces.
- **WARNING!** possible danger if installation close to curtains and other combustible materials – must be kept at least 1m apart

SOURCE OF POSSIBLE ELECTRIC SHOCK

- Never attempt to service appliance without disconnecting power supply.
- Appliance must be installed and serviced by persons with appropriate qualifications.
- When cleaning heater or reflector always isolate the power supply.

GENERAL SAFETY

- Children of less than 3 years should be kept away from heater unless continuously supervised
- Children aged from 3 years and less than 8 years shall only switch on/off the appliance provided that it has been placed or installed in its intended normal operating position and they have been given supervision or instruction concerning use of the appliance in a safe way and understand the hazards involved. Children aged from 3 years and less than 8 years shall not regulate and clean the appliance or perform user maintenance
- Do not use if the heating element is damaged